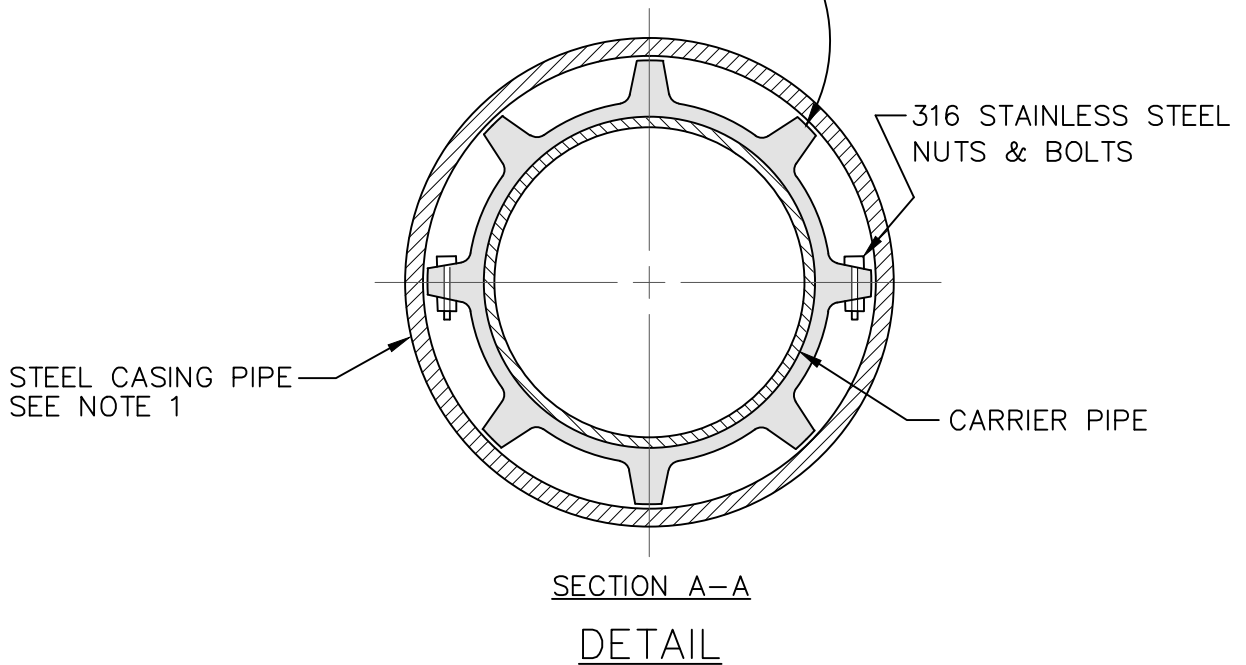


CASING INSULATOR WITH RUNNER HEIGHT TO BE LARGE ENOUGH, SO THAT IT DOES NOT INTERFERE WITH THE PIPE RESTRAINED JOINTS



-ART-

NOTES

1. STEEL CASING PIPE SHALL MEET ASTM A139 GRADE B REQUIREMENTS WITH A MINIMUM YIELD STRENGTH OF 35,000 PSI.
2. EACH LENGTH OF STEEL CASING PIPE SHALL BE FIELD WELDED TO PROVIDE WATER PROOF JOINTS.
3. INSULATORS OR SPACERS ARE TO BE PER IRCDUS APPROVED MANUFACTURERS' PRODUCT LIST.

INDIAN RIVER COUNTY
DEPARTMENT OF
UTILITY SERVICES



JACK AND BORE
CASING INSULATOR/SPACER
DETAIL

DRAWING
NO.

M-10

MARCH 2018