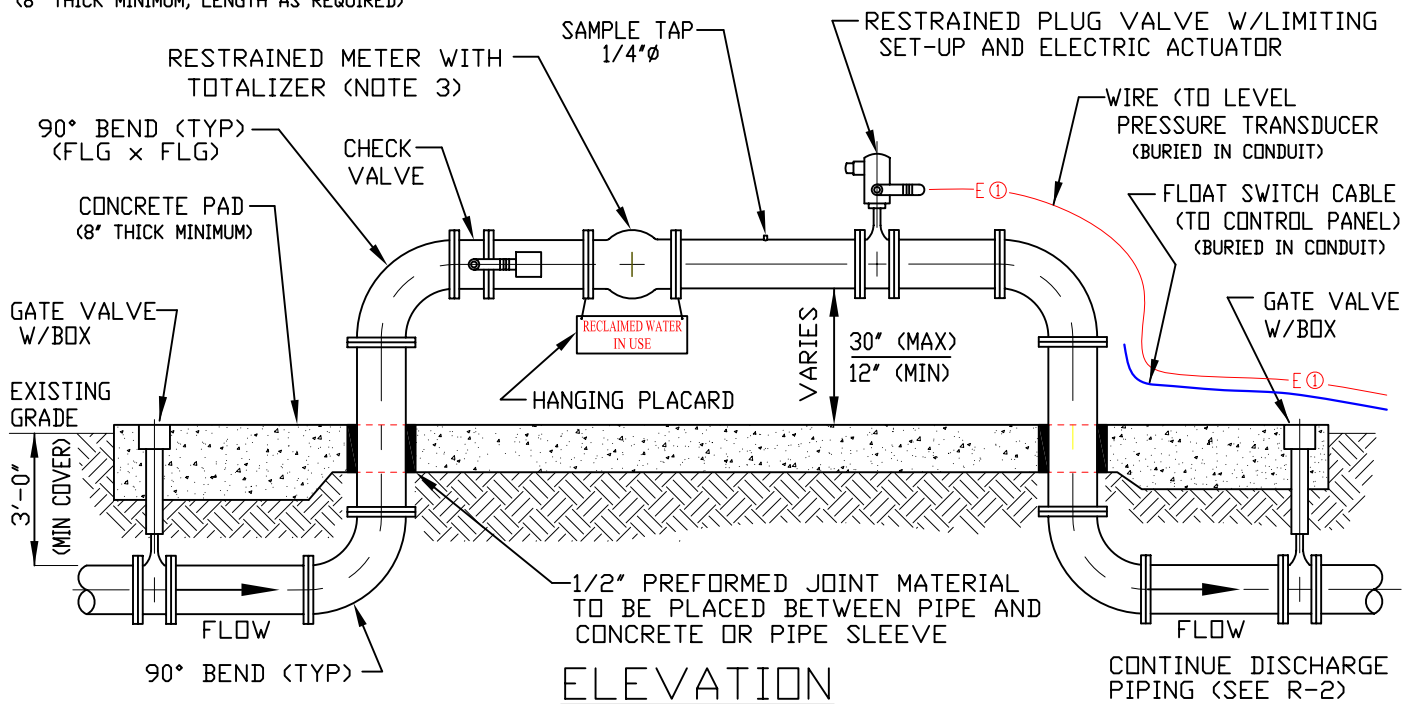


PLAN VIEW

CONCRETE PAD-3,000 PSI  
COMMERCIAL GRADE  
FIBER MESH CONCRETE  
(8" THICK MINIMUM, LENGTH AS REQUIRED)



ELEVATION

NOTES

1. ALL ABOVE GROUND PIPING SHALL BE PAINTED PANTONE PURPLE (522C).
2. PROVIDE A HANGING PLACARD WITH THE WORDS "RECLAIMED WATER IN USE."
3. PROPELLER OR MAG METER SHALL BE LINKED TO IRCDUS RTU FOR REMOTE MONITORING BY IRCDUS. THE METER SHALL REPORT IN GALLONS PER MINUTE. PLUG VALVE SHALL BE REMOTELY ACTUATED VIA EXISTING IRCDUS RTU AND BY PRESSURE TRANSDUCER. IN LAKE. PLUG VALVE SHALL REPORT "PERCENTAGE OPEN" POSITION. INTERGRATE ALL LOGIC WITH IRCDUS SCADA SYSTEM.
4. ALL MATERIALS ARE TO BE PER IRCDUS APPROVED MANUFACTURERS' PRODUCT LIST.
5. A TELEMETRY AND MONITORING DEVICE IS REQUIRED AT DISCHARGE. DEVICE TO BE INSTALLED IN STRICT ACCORDANCE WITH MANUFACTURERS INSTRUCTIONS.
6. ELECTRICAL PANEL SHALL BE PER LIFT STATION ELECTRICAL PANEL, SEE DETAIL S-18. ELECTRICAL PANEL TO BE LOCATED AS CLOSE TO METER AS PRACTICAL.

INDIAN RIVER COUNTY  
DEPARTMENT OF  
UTILITIES SERVICES



REUSE METER/VALVE  
ASSEMBLY DETAIL

DRAWING  
NO.  
R-1