

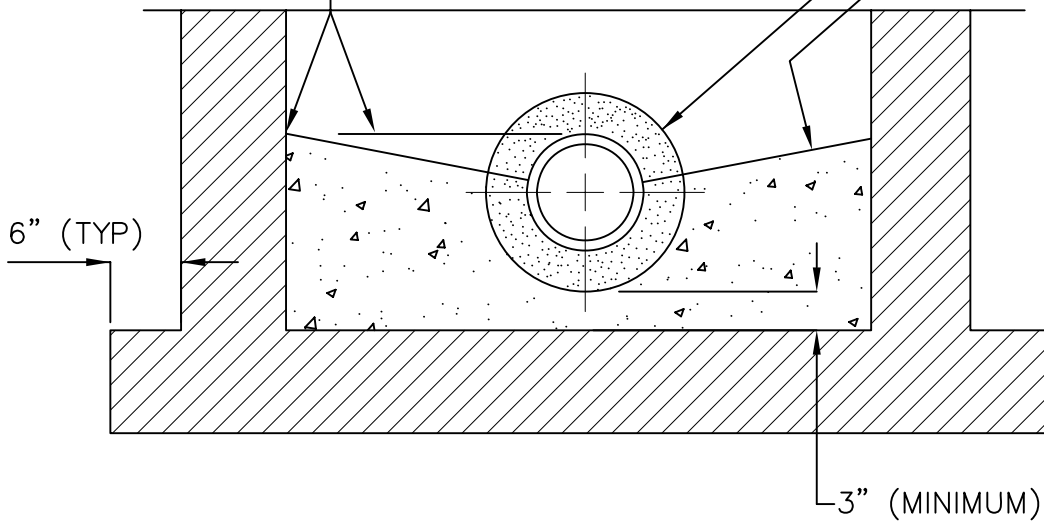
SPACE AROUND OUTSIDE OF PIPE SHALL BE COMPLETELY FILLED WITH NON-SHRINK GROUT. REMOVE CONCRETE AND BEND EXPOSED EXISTING REINFORCING STEEL AROUND OUTSIDE OF PIPE (FOR FIELD INSTALLATION)

PIPE CONNECTION TO BE NEOPRENE BOOT WITH STAINLESS STEEL ACCESSORIES

H.P. ELEV. OF FILL CONCRETE TO BE SAME AS OD OF PIPE

2" PER FOOT SLOPE

6" (TYP)



ELEVATION

-ART-

## NOTES

1. ALL MATERIALS ARE TO BE PER IRCDUS APPROVED MANUFACTURERS' PRODUCT LIST.

INDIAN RIVER COUNTY  
DEPARTMENT OF  
UTILITIES SERVICES



PIPE OPENING DETAIL

DRAWING  
NO.

S-11

MARCH 2014