

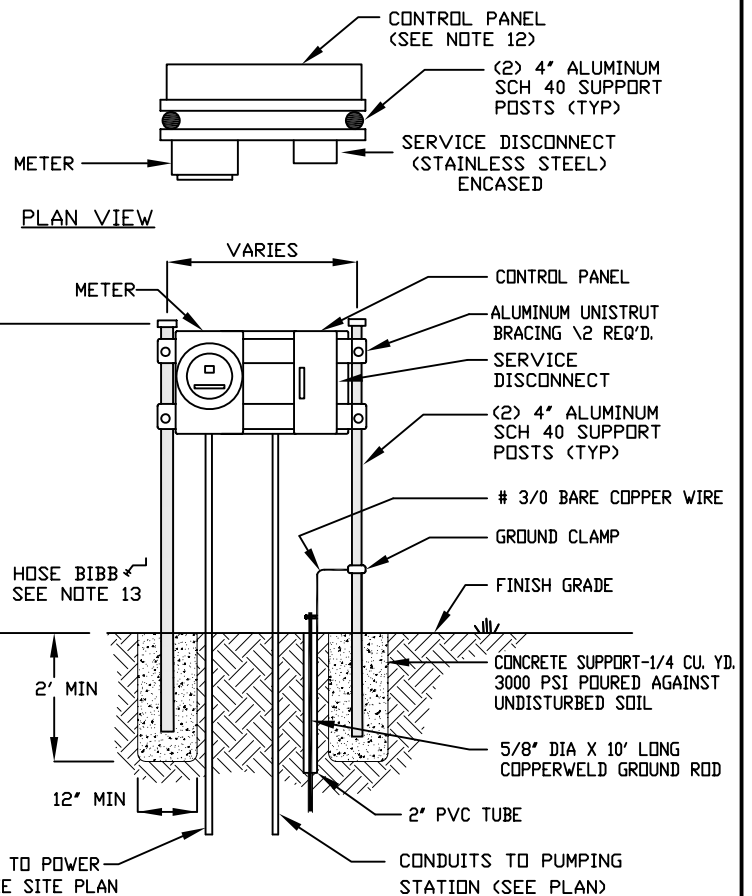
FRONT VIEW

TYPICAL CONTROL PANEL

REFER TO SECTION 10
SUBMERSIBLE WASTEWATER
PUMPING STATION

NOTES

1. ELECTRIC SERVICE SHALL BE 3 PHASE.
2. ALARM HORN SHALL BE SEALED TO PREVENT LEAKAGE.
3. CONTROL PANEL TO BE APPROVED BY IRCBUS BEFORE INSTALLATION.
4. REFER TO SECTION 8 FOR PUMPING STATION SPECIFICATIONS.
5. BOTTOM OF PANEL TO BE 28' TO 34' ABOVE GROUND.
6. DISCONNECT BETWEEN METER AND PANEL TO BE STAINLESS STEEL NON FUSABLE.
7. ALL HARDWARE AND FASTENERS TO BE STAINLESS STEEL.
8. TOOLS & SPARE PARTS (SEE SECTION 10.05)
9. CONTROL PANEL SHALL MEET THE REQUIREMENTS OF SERVICE ENTRANCE BY PROPERLY BONDING OR SHALL BE UL SERVICE ENTRANCE RATED.
10. CONTROL PANEL SHALL HAVE A DATA FLOW, FLOAT BY-PASS SWITCH.
11. THE MAXIMUM HORSEPOWER RATING FOR A 240 VOLT LIFT STATION SERVICE IS 20 H.P. ANY PUMP SIZE GREATER THAN 20 H.P. NEEDS A 480 VOLT SERVICE.
12. THE CONTROL PANEL SHALL BE 4X NEMA, WHITE POWDER COATED STAINLESS STEEL.
13. WATER SERVICE LINE (1"Ø) WITH REDUCED PRESSURE BACKFLOW PREVENTER, WATER METER AND HOSE BIBB REQUIRED.



FRONT ELEVATION

TYPICAL SERVICE ENTRANCE STRUCTURE

INDIAN RIVER COUNTY
DEPARTMENT OF
UTILITIES SERVICES



TYPICAL PUMPING STATION
(ELECTRICAL DETAILS)

DRAWING
NO.
S-18