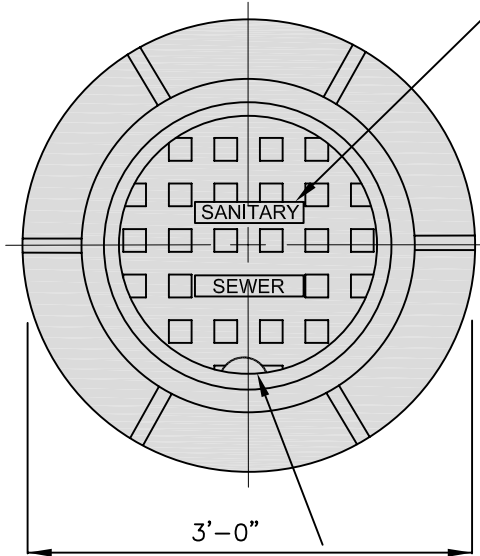


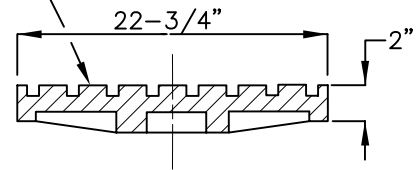
MANHOLE COVER – LETTERS TO BE MARKED "SANITARY SEWER"



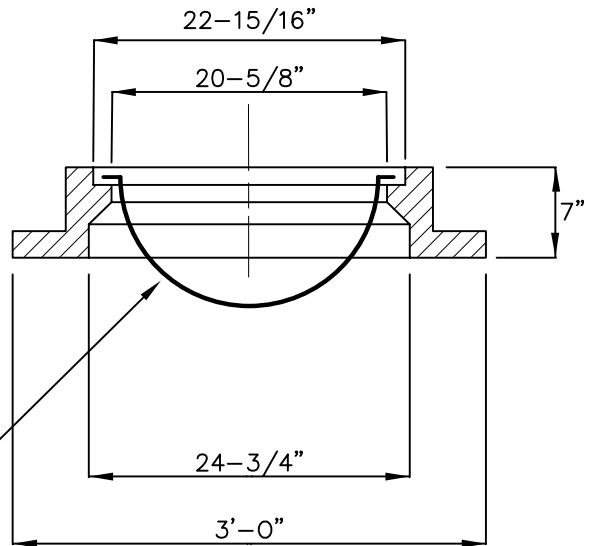
CONCEALED WATERTIGHT PICKHOLE

PLAN VIEW

WATERTIGHT BOOT RAIN GUARD (AS REQUIRED)



COVER – SECTION



FRAME – SECTION

-ART-

NOTES

1. A WATERTIGHT BOOT RAIN GUARD SHALL BE PROVIDED FOR ALL MANHOLE FRAME/COVERS AND APPROVED BY INDIAN RIVER COUNTY DEPARTMENT OF UTILITY SERVICES.
2. ALL MATERIALS ARE TO BE PER IRCDUS APPROVED MANUFACTURERS' PRODUCT LIST.

INDIAN RIVER COUNTY
DEPARTMENT OF
UTILITIES SERVICES



STANDARD
MANHOLE CASTING

MARCH 2014

DRAWING
NO.

S-4