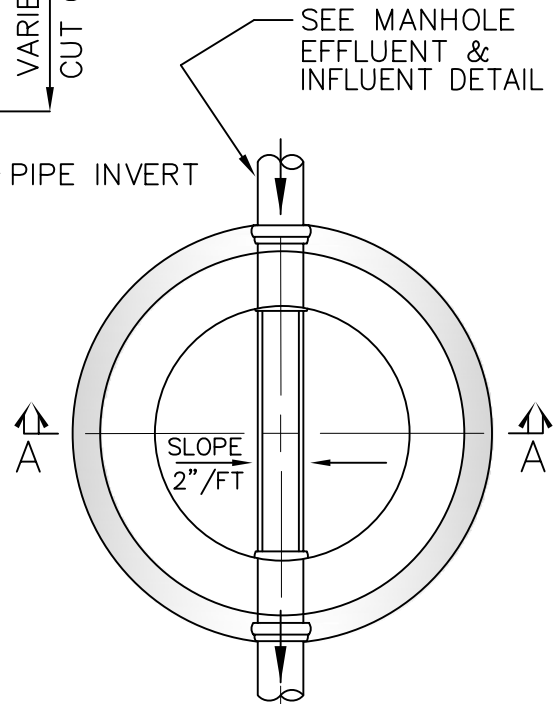


ELEVATION
SECTION A-A



MANHOLE FRAME AND COVER
NOT SHOWN FOR CLARITY

PLAN VIEW

TO BE USED WHEN CUT CLASSIFICATION IS 6'-0" OR LESS

NOTES

1. SEE MANHOLE NOTES ON DRAWING NO. S-5
2. SEE STANDARD MANHOLE CASTING DRAWING NO. S-4
3. SEE PIPE OPENING DETAIL DRAWING NO. S-11
4. SEE MANHOLE EFFLUENT & INFLUENT DETAIL DRAWING NO. S-12

INDIAN RIVER COUNTY
DEPARTMENT OF
UTILITIES SERVICES



MANHOLE
STANDARD SHALLOW

MARCH 2014

DRAWING
NO.
S-6